

## Technical data sheet

### Fine power protection/socket bar



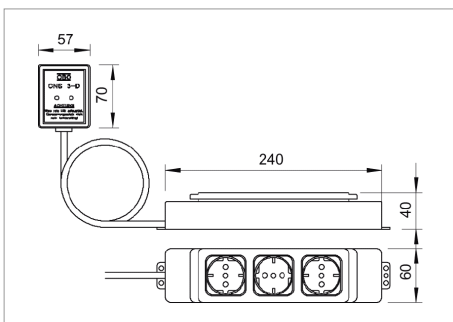
CNS 3-D: Surge protection device Type 3 (Class D) to VDE 0675 part 6-11 (DIN EN 61643-11), intended for use in protective contact plugs.

- With visual and acoustic signalling, function display
- 3-way socket
- Length of connection conductor: 2 m
- Y-circuit for high electrical safety

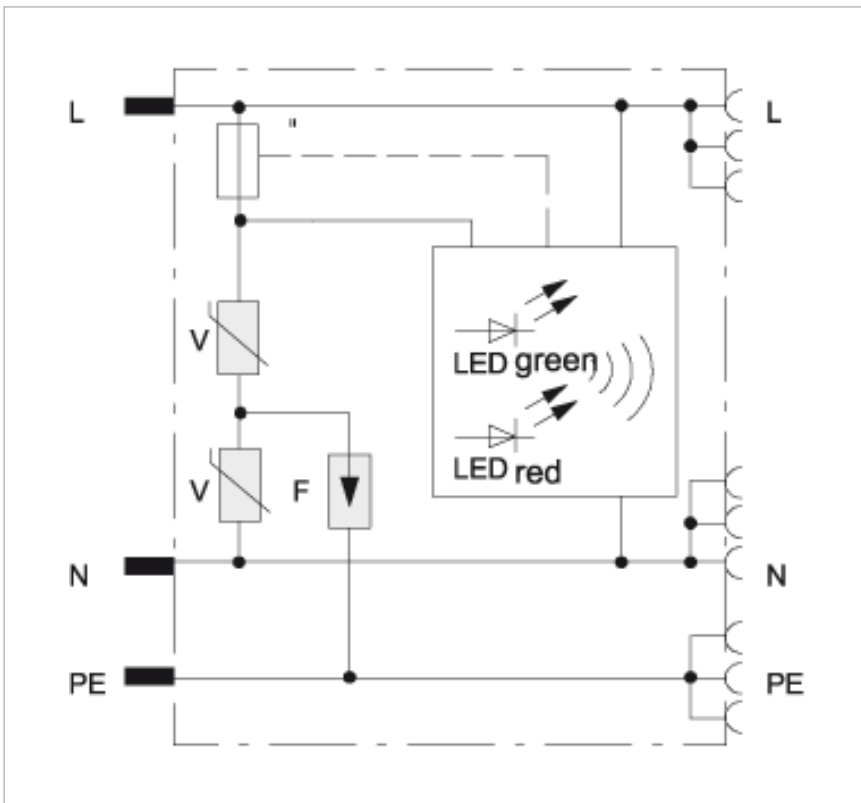
Application: e.g. protection of PCs, printers, copiers, fax machines, etc.

Type	Country-specific version	Colour	Connecting cable length m	Pack Units	Weight kg/100 pc.	Art.-No.
CNS 3-D-D	EN	Black	2	1	65.000	5092701

**G** /pc.



## Connection-/Circuit diagram



Article number			<b>5092701</b>
Maximum continuous voltage	$U_C$	V	255
SPD to EN 61643-11			Type 3
SPD to IEC 61643-1			class III
LPZ			2?3
Nominal discharge surge current (8/20)	$I_n$	kA	2.5
Maximum discharge current	$I_{max}$	kA	7
Nominal load current	$I_L$	A	16
Protection level (L-N)		kV	< 1,0
Protection level (N-PE)		kV	< 1,5
Response time	$t_A$	ns	<25

## Legend



Protection device to DIN EN 61643-11 or IEC 61643-11



Transition from LPZ 2 to LPZ 3



Acoustic signalling



Communautés Européennes, EC declaration of conformity according to EC directives



Russia, GOST The State Committee for Standards



5-year warranty